

CABLE HOISTS

PALFINGER

LIFETIME EXCELLENCE

**OPTIMIZED DESIGN WITH THE
WIDEST RANGE OF CAPACITIES
FROM 12,000 TO 75,000 LBS.**



PALFINGER CABLE HOISTS FOR ROLL-OFF CONTAINERS

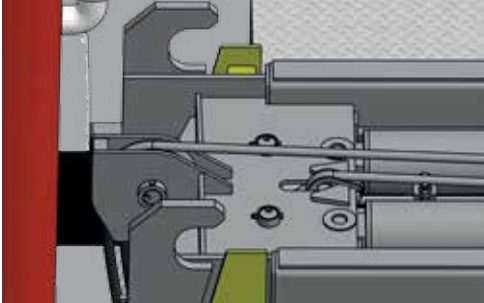


- Unparalleled degree of versatility and efficiency offered with the PALFINGER Cable Hoist System
- Designed for a long life with minimal maintenance
- Reduced hoist weight allows for increased load capacity
- Industry leader in strength and durability



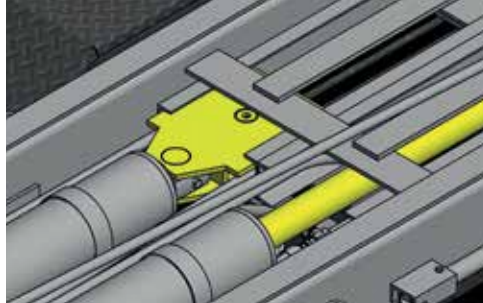
PRODUCT HIGHLIGHTS

STANDARD ON ARB, ARD, ARH MODELS



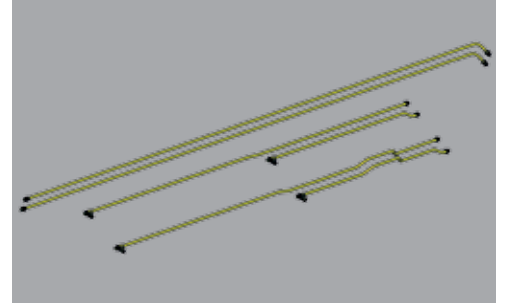
FIXED FRONT LOCKS

- Durable front locks
- Low maintenance – no springs to break or fail



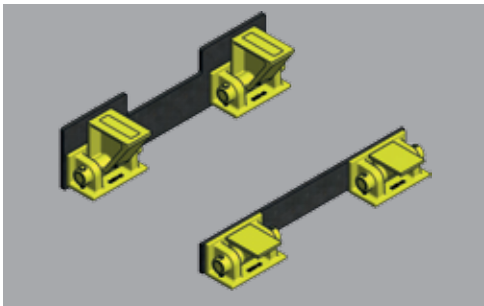
SOLID ROD REEVING CYLINDERS

- Faster cycle times
- Lighter weight
- Smaller tank



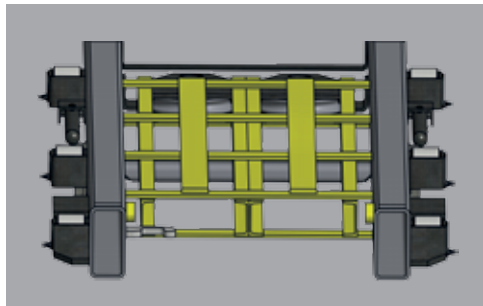
JIC HYDRAULIC TUBES

- One piece - high pressure hydraulic tubes premade with JIC fittings
- Reduce risk of leakage



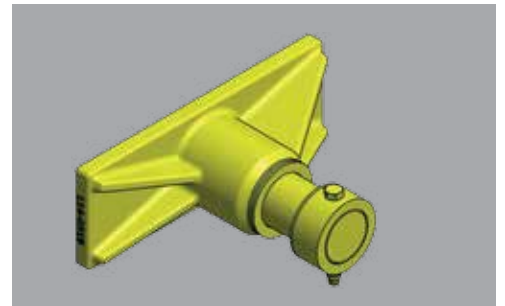
HEAVY DUTY HINGES & PIVOTS

- Easily replaceable two piece shafts
- Maximum reliability



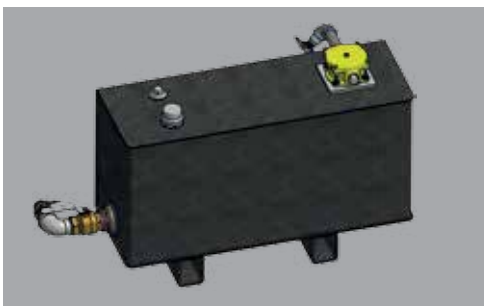
LOW PROFILE TRACK

- Better container clearance
- Less damage from derailed containers



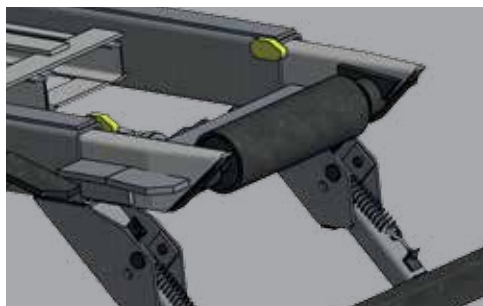
CASTED LIFT CYLINDER BASKETS

- Dependable and long lasting material
- Strong and durable throughout product lifetime



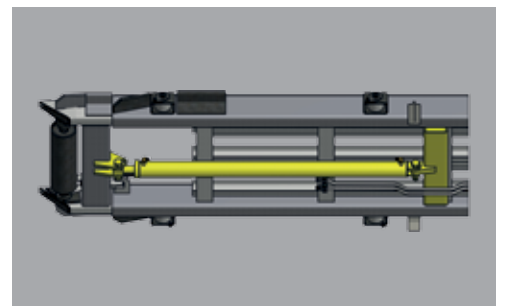
HYDRAULIC RETURN FILTER

- Internal hydraulic return filter reduces chance of damage
- Easy maintenance



SUPPORT STEEL RAMPS

- Smooth transition of container
- Easy and safe to operate



TAIL CYLINDER UNDER TRACK

- Universal on all Extendable Tail units
- Prevents damage of the tail cylinder

PATENTED “ART” TOP-MOUNT HOIST FROM 12,000 - 75,000 LBS.



The PALFINGER ART-Series is a heavy duty unit designed for a long life with minimum maintenance. We built the features you want into the hoist, and we can accommodate 12ft - 24ft container lengths.

- Single reeve cylinder delivers faster cycle times
- Ideal for installation on multiple axle chassis and CNG tanks
- Top mount installation leaves room for bigger fuel tanks, battery boxes and tool boxes
- Less installation time
- Patented folding rear bumper

STRONG PERFORMANCE

KEY INDUSTRIES



MUNICIPALITIES

- Road Maintenance
- Parks & Recreation
- Fire & Rescue
- Utility Construction/Maintenance



WASTE

- Waste Collection & Disposal
- Solid and/or Liquid
- Recycling of paper, cardboard, vinyl etc.



RECYCLING

- Metal Recycling
- Paper Recycling
- Collection & Disposal



CONSTRUCTION

- Lumber & Building Material Transport
- C & D Collection and Disposal
- Demolition
- Transport of Aggregates

THE RIGHT CHASSIS THE CORRECT SPECIFICATIONS FOR YOUR APPLICATION

TECHNICAL SPECIFICATIONS CABLE HOIST

HOIST MODEL	CAPACITY	MAX. CONTAINER LENGTH	DUMP ANGLE	OPERATING PRESSURE	MIN. CLEAR CA/CT *	MIN. PLATFORM	MIN. GVW F/R
ARB 60-22	60,000 lbs.	22'	48	3,000 PSI	176"	236"	18,000/46,000
ARB 75-22	75,000 lbs.	22'	48	3,000 PSI	176"	236"	18,000/46,000
ARB 75-22 ET	75,000 lbs.	22'	48	3,000 PSI	176"	236"	18,000/46,000
ARB 75-24	75,000 lbs.	24'	48	3,000 PSI	194"	254"	18,000/46,000
ARD 60-22	60,000 lbs.	22'	48	3,000 PSI	176"	236"	18,000/46,000
ARD 75-22	75,000 lbs.	22'	48	3,000 PSI	176"	236"	18,000/46,000
ARD 75-22 ET	75,000 lbs.	22'	48	3,000 PSI	176"	236"	18,000/46,000
ARD 75-22 IO	75,000 lbs.	22'	48	3,000 PSI	176"	236"	18,000/46,000
ARD 75-24	75,000 lbs.	24'	48	3,000 PSI	194"	254"	18,000/46,000
ARD 75-24 IO	75,000 lbs.	24'	48	3,000 PSI	194"	254"	18,000/46,000
ARH 75-22	75,000 lbs.	22'	48	2,100 PSI	176"	236"	18,000/46,000
ARH 75-22 IO	75,000 lbs.	22'	48	2,100 PSI	176"	236"	18,000/46,000
ARH 75-22 XD	75,000 lbs.	22'	48	2,100 PSI	176"	236"	18,000/46,000
ARH 75-24	75,000 lbs.	24'	48	2,100 PSI	194"	254"	18,000/46,000
ARH 75-24 IO	75,000 lbs.	24'	48	2,100 PSI	194"	254"	18,000/46,000
ARH 75-24 XD	75,000 lbs.	24'	48	2,100 PSI	194"	254"	18,000/46,000
ART 12-14	12,000 lbs.	14'	53	3,000 PSI	84"	136"	7,000/12,500
ART 12-16	12,000 lbs.	16'	48	3,000 PSI	108"	160"	7,000/12,500
ART 20-16	20,000 lbs.	16'	53	2,500 PSI	120"	160"	8,000/17,500
ART 20-18	20,000 lbs.	18'	52	3,000 PSI	140"	180"	8,000/17,500
ART 60-22	60,000 lbs.	22'	49	3,000 PSI	176"	236"	18,000/46,000
ART 60-22 ET	60,000 lbs.	22'	49	4,500 PSI	176"	236"	18,000/46,000
ART 75-22	75,000 lbs.	22'	48	4,500 PSI	176"	236"	18,000/46,000
ART 75-22 ET	75,000 lbs.	22'	48	4,500 PSI	176"	236"	18,000/46,000
ART 75-22 IO	75,000 lbs.	22'	48	4,500 PSI	176"	236"	18,000/46,000
ART 75-24	75,000 lbs.	24'	48	4,500 PSI	194"	254"	18,000/46,000
ART 75-24 ET	75,000 lbs.	24'	48	4,500 PSI	194"	254"	18,000/46,000
ART 75-24 IO	75,000 lbs.	24'	48	4,500 PSI	194"	254"	18,000/46,000

MODEL DESIGNATION

BRAND NAME	MODEL TYPE	OTHER DESIGNATION
AR AMERICAN ROLL-OFF	B BASIC MOUNT	ET EXTENDABLE TAIL
	D DIRECT MOUNT	IO INSIDE / OUT HOIST
	H HEAVY DUTY MOUNT	XD EXTRA DUTY
	T TOP MOUNT	

*CHASSIS CAN VARY. CONSULT DEALER FOR ENGINEERING DRAWINGS



*ALL HOISTS ARE MADE IN THE USA

PALFINGER American Roll-Off

572 Whitehead Rd. | Trenton | NJ 08619

✉ PO Box 5757 | Trenton | NJ 08638

T + 1 800 851 8938

F+ 1 609 588 4104

Products shown in the leaflet are partially optional equipped and do not always correspond to the standard version. Country-specific regulations must be observed. Dimensions may vary. Subject to technical changes, errors and translation mistakes.