

HOOKLIFTS

PALFINGER

LIFETIME EXCELLENCE

**OPTIMIZED DESIGN WITH THE
WIDEST RANGE OF CAPACITIES
FROM 6,600 TO 68,000 LBS.**



PALFINGER HOOKLIFTS

LIFT WITH POWER



- Unparalleled degree of versatility and efficiency offered with the PALFINGER Hooklift system
- Handle more containers in a shorter amount of time
- One truck can do the work of several due to a variety of container styles
- Increased productivity and safety because the driver never leaves the cab

STRONG PERFORMANCE

KEY INDUSTRIES



MUNICIPALITIES

- Road Maintenance
- Parks & Recreation
- Fire & Rescue
- Utility Construction/Maintenance

WASTE

- Waste Collection & Disposal
- Solid and/or Liquid
- Recycling of paper, cardboard, vinyl etc

SCRAP

- Metal Recycling
- Collection & Disposal

CONSTRUCTION

- Lumber & Building Material Transport
- C & D Collection and Disposal
- Demolition
- Transport of Aggregates

HAD - HAS SERIES SOLUTIONS ADAPTED TO YOUR NEEDS

12

HIGHLIGHTS



MADE IN THE USA

- Proudly designed and manufactured at our manufacturing facility in Trenton, NJ



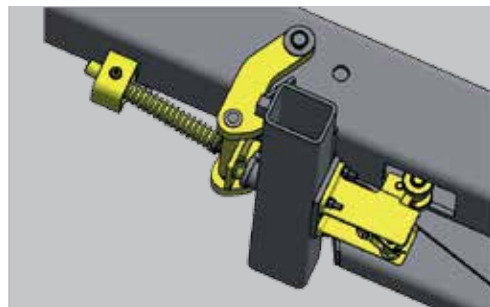
LOW OPERATING PRESSURE SYSTEM

- Dual lift cylinders
- Max. operating pressure 3,000 psi
- Accommodates auxiliary hydraulic equipment



IN-CAB AND OUTSIDE CONTROLS STANDARD

- User friendly controls
- Standard cable control
- Air or electric controls (optional)



PATENTED LOCKING SYSTEM

- Allows jib to slide into dumping position
- No electrical components



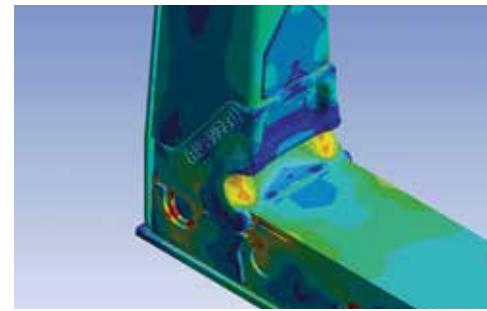
SLIDE THROUGH CONTAINER LOCK

- Mechanical, zero-maintenance, hold down system
- No need for the driver to get out of the cab to secure the container



DESIGN

- Simple design for easy operation
- Lower maintenance costs



STATE-OF-THE-ART ENGINEERING

- Highest weight-to-lift ratio in the industry
- Use of high tensile steel reduces hooklift weight = **more** payload, **increased** truck longevity and **reduced** fuel costs



CONTAINER CONVERSION

- By installing an A-Frame, an existing cable roll-off container can be converted to the hooklift system
- Modifications to the container rails are not required



POWER ON, POWER OFF

- The PALFINGER Hooklift provides “power-on, power-off”, through the use of hydraulic cylinders.
- Containers are easily loaded and unloaded onto docks and trailers.



TRUE DUMP MODE

- All PALFINGER Hooklifts feature Dual Points of Articulation, which allow for a true “dump” mode.



CONTAINER STOPS

- Front container stops



WARRANTY

- Three (3) year warranty on all structural components. One (1) year warranty on hydraulic components.

T-SERIES SOLUTIONS ADAPTED TO YOUR NEEDS

12

HIGHLIGHTS



LONGEVITY

- Casted parts provide longevity and strength (hook, rear pivots, hinge supports...)
- Increasing product lifetime and resale value



POP - PALFINGER ORIGIN PROTECTION

- Increased lifetime; before assembling the main components are sand blasted, de-greased, primer painted and electro-statically final coated.



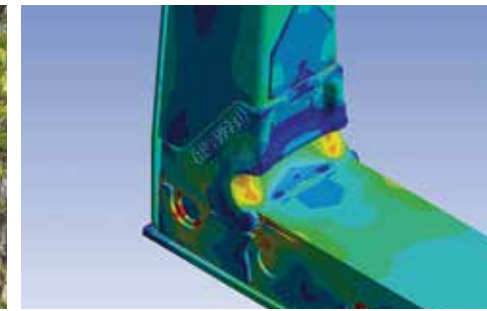
CAB CONTROLS

- Two speeds:
- Low: used during the loading phase
- High: to reduce cycle time (used with empty or no container)



DUAL HOOK HEIGHTS

- Provides the ability to handle multiple container sizes and capacities



STATE-OF-THE-ART ENGINEERING

- Highest weight-to-lift ratio in the industry
- Use of high tensile steel reduces hooklift weight = **more** payload, **increased** truck longevity and **reduced** fuel costs



CONTAINER CONVERSION

- By installing an A-Frame, an existing cable roll-off container can be converted to the hooklift system
- Modifications to the container rails are not required



POWER ON, POWER OFF

- The PALFINGER Hooklift provides "power-on, power-off", through the use of hydraulic cylinders
- Containers are easily loaded and unloaded onto docks and trailers.



TRUE DUMP MODE

- All PALFINGER Hooklifts feature Dual Points of Articulation, which allow for a true "dump" mode.
- With Single Articulation Hoists, the container moves rearward and often hits the ground before the full dump angle is reached.



WARRANTY

- Three (3) year warranty on all structural components. One (1) year warranty on hydraulic components.



SOFT STOP

- Hydraulic breaking system provides a soft landing after loading and dumping
- Impacts from the load are avoided for the protection of the hooklift, container/load and vehicle



SLIDE THROUGH CONTAINER CATCH

- Mechanical, zero-maintenance, hold down system
- No need for the driver to get out of the cab to secure the container



TANDEM REAR ROLLERS

- Reduces the stress on the container rails
- Rollers pivot to allow for easier loading and unloading by distributing the forces of the load

* Available on T30 and above

THE RIGHT CHASSIS THE CORRECT SPECIFICATIONS FOR YOUR APPLICATION

TECHNICAL SPECIFICATIONS HAD - HAS SERIES

HOIST MODEL	CAPACITY	CONTAINER LENGHT	JIB HEIGHT	DUMP ANGLE
HAS 100 S	10,000 lbs.	10' - 12'	36 - 1/4"	50° - 38°
HAS 100 L	10,000 lbs.	11' - 13'	36 - 1/4"	52° - 46°
HAS 100 S SD	10,000 lbs.	10' - 12'	36 - 1/4"	50° - 38°
HAS 100 L SD	10,000 lbs.	11' - 13'	36 - 1/4"	52° - 46°
HAS 150	15,000 lbs.	12' - 14'	36 - 1/4"	52° - 43°
HAS 200 SS	20,000 lbs.	10' - 14'	36 - 1/4"	54° - 43°
HAS 200 S	20,000 lbs.	10' - 14'	54"	54° - 43°
HAS 200 M	20,000 lbs.	12' - 15'	54"	50° - 42°
HAS 200 L	20,000 lbs.	12' - 16'	54"	50° - 42°
HAD 130 S	13,000 lbs.	8' - 12'	36 - 1/4"	58°
HAD 130 L	13,000 lbs.	9' - 13'	36 - 1/4"	54°
HAD 185	18,500 lbs.	10' - 14'	36 - 1/4", 54"	58°
HAD 200 M	20,000 lbs.	10' - 14'	54"	58°
HAD 200 L	20,000 lbs.	12' - 16'	54"	56°
HAD 250 S	25,000 lbs.	12' - 16'	54"	56°
HAD 250 M	25,000 lbs.	14' - 18'	54"	49°
HAD 300 S	30,000 lbs.	12' - 16'	61 - 3/4"	56°
HAD 300 M	30,000 lbs.	14' - 18'	61 - 3/4"	49°

TECHNICAL SPECIFICATIONS TRUCK

HOIST MODEL	MIN. CA/CT	PLATFORM LENGTH	MIN. GVWR	MIN.F/R SUSP.	MIN. RBM
HAS 100 S	84" - 96"	126"	17,500 lbs.	6K / 13.5K	500,000 in.lbs.
HAS 100 L	96" - 108"	144"	17,500 lbs.	6K / 13.5K	500,000 in.lbs.
HAS 100 S SD	84" aft tank	132"	17,500 lbs.	6K / 13.5K	500,000 in.lbs.
HAS 100 L SD	108" aft tank	156"	17,500 lbs.	6K / 13.5K	500,000 in.lbs.
HAS 150	108" - 120"	156"	19,500 lbs.	6K / 13.5K	500,000 in.lbs.
HAS 200 SS	108" - 120"	156"	26,000 lbs.	8K / 18K	900,000 in.lbs.
HAS 200 S	120"	155"	26,000 lbs.	8K / 18K	900,000 in.lbs.
HAS 200 M	120" - 130"	178"	26,000 lbs.	8K / 18K	900,000 in.lbs.
HAS 200 L	130" - 140"	182"	26,000 lbs.	8K / 18K	900,000 in.lbs.
HAD 130 S	84" - 96"	130"	19,500 lbs.	6K / 13.5K	500,000 in.lbs.
HAD 130 L	108" - 120"	140"	19,500 lbs.	6K / 13.5K	500,000 in.lbs.
HAD 185	120" - 130"	158"	26,000 lbs.	8K / 18K	900,000 in.lbs.
HAD 200 M	120" - 130"	158"	26,000 lbs.	8K / 18K	900,000 in.lbs.
HAD 200 L	130" - 140"	180"	26,000 lbs.	8K / 18K	900,000 in.lbs.
HAD 250 S	CA = 138" - 140" / CT = N/A	183"	33,000 lbs.	12K / 21K	1,000,000 in.lbs.
HAD 250 M	CA = 168" - 170" / CT = N/A	203"	33,000 lbs.	12K / 21K	1,000,000 in.lbs.
HAD 300 S	CA = N/A / CT 126" - 132"	183"	52,000 lbs.	12K / 40K	1,000,000 in.lbs.
HAD 300 M	CA = N/A / CT 148" - 154"	203"	52,000 lbs.	12K / 40K	1,000,000 in.lbs.

TECHNICAL SPECIFICATIONS T-SERIES

HOIST MODEL	CAPACITY	CONTAINER LENGHT	JIB HEIGHT	DUMP ANGLE
CiTy	6,600 lbs.	9' - 11'	36 - 1/4"	50°
T 12 S	12,000 lbs.	10' - 12'	36 - 1/4"	52°
T 12 L	12,000 lbs.	12' - 14'	36 - 1/4"	48°
T 16 S	16,000 lbs.	11' - 14'	36 - 1/4"	52°
T 16 M	16,000 lbs.	12' - 16'	36 - 1/4"	49°
T 20 S	20,000 lbs.	11' - 14'	54"	52°
T 20 M	20,000 lbs.	12' - 16'	54"	49°
T 24 S	24,000 lbs.	11' - 14'	54"	50°
T 24 M	24,000 lbs.	12' - 16'	54"	50°
T 24 MT	24,000 lbs.	12' - 16'	36" & 54"	50°
T 24 L	24,000 lbs.	14' - 18'	54"	50°
T 30 S	30,000 lbs.	12' - 15'	54" / 61 - 3/4"	50°
T 30 L	30,000 lbs.	15' - 20'	54" / 61 - 3/4"	47°
T 40 S	40,000 lbs.	14' - 18'	54" / 61 - 3/4"	50°
T 40 L	40,000 lbs.	16' - 22'	54" / 61 - 3/4"	48°
T 50	50,000 lbs.	16' - 22'	54" / 61 - 3/4"	48°
T 60	60,000 lbs.	16' - 22'	54" / 61 - 3/4"	50°
G 68	68,000 lbs.	18' - 23'	61 - 3/4"	47°

TECHNICAL SPECIFICATIONS TRUCK

HOIST MODEL	MIN. CA/CT	PLATFORM LENGTH	MIN. GVWR	MIN.F/R SUSP.	MIN. RBM
CiTy	84"	115"	14,000 lbs.	5K / 9K	500,000 in.lbs.
T 12 S	84"	134"	17,500 lbs.	6K / 13.5K	500,000 in.lbs.
T 12 L	96" - 108"	153"	17,500 lbs.	6K / 13.5K	500,000 in.lbs.
T 16 S	108" - 120"	156"	22,000 lbs.	7K / 17K	750,000 in.lbs.
T 16 M	130" - 140"	187"	22,000 lbs.	7K / 17K	750,000 in.lbs.
T 20 S	108" - 120"	156"	26,000 lbs.	8K / 18K	750,000 in.lbs.
T 20 M	130" - 140"	187"	26,000 lbs.	8K / 18K	750,000 in.lbs.
T 24 S	110" - 120"	169"	33,000 lbs.	12K / 21K	1,000,000 in.lbs.
T 24 M	130" - 140"	181"	33,000 lbs.	12K / 21K	1,000,000 in.lbs.
T 24 MT	130" - 140"	181"	33,000 lbs.	12K / 21K	1,000,000 in.lbs.
T 24 L	150" - 160"	205"	33,000 lbs.	12K / 21K	1,000,000 in.lbs.
T 30 S	120" - 130"	173"	50,000 lbs.	12K / 38K	1,500,000 in.lbs.
T 30 L	150" - 160"	230"	50,000 lbs.	12K / 38K	1,500,000 in.lbs.
T 40 S	135" - 145"	212"	54,000 lbs.	14K / 40K	2,000,000 in.lbs.
T 40 L	180" - 190"	253"	54,000 lbs.	14K / 40K	2,000,000 in.lbs.
T 50	185" - 195"	253"	64,000 lbs.	18K / 46K	2,750,000 in.lbs.
T 60	185" - 195"	254"	64,000 lbs.	18K / 46K	2,750,000 in.lbs.
G 68	195" - 205"	254"	66,000 lbs.	20K / 46K	3,000,000 in.lbs.



PALFINGER American Roll-Off

572 Whitehead Rd. | Trenton | NJ 08619

✉ PO Box 5757 | Trenton | NJ 08638

T + 1 800 851 8938

F+ 1 609 588 4104

Products shown in the leaflet are partially optional equipped and do not always correspond to the standard version. Country-specific regulations must be observed. Dimensions may vary. Subject to technical changes, errors and translation mistakes.